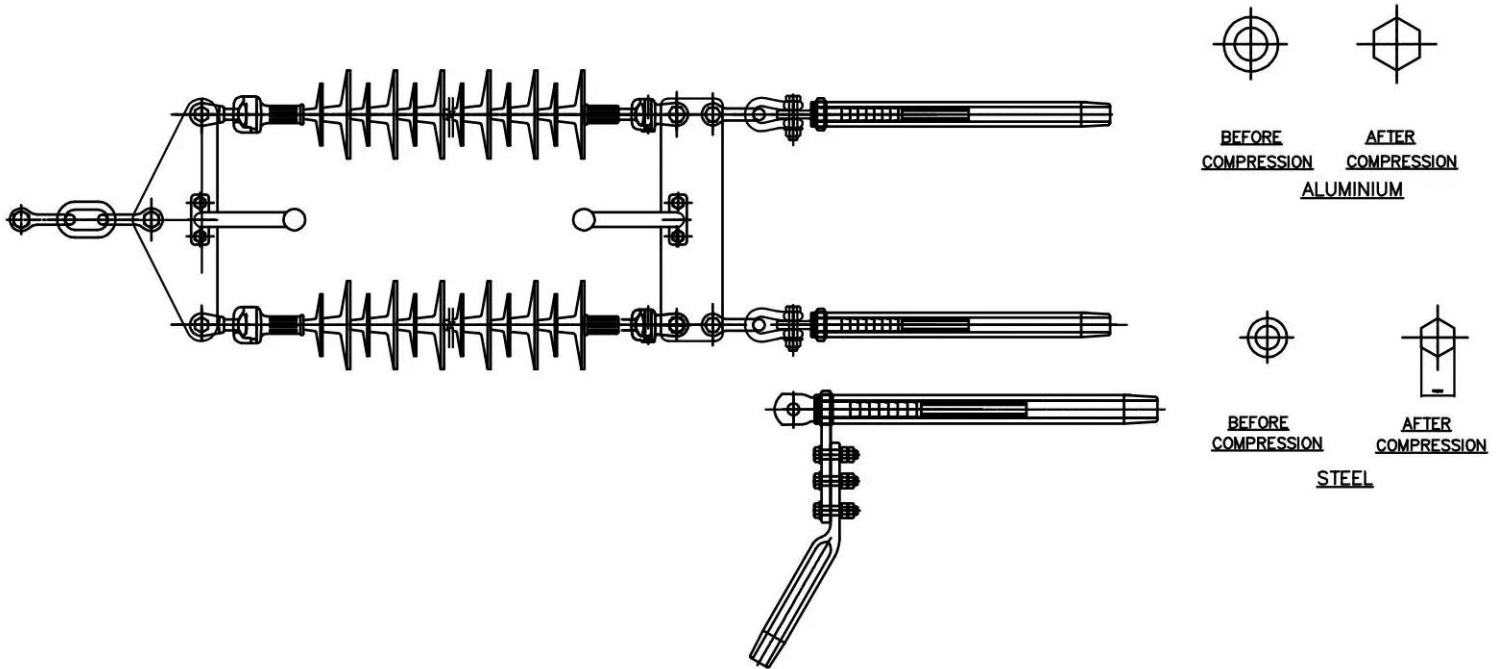


### Overview

Polymer cross arm insulators have an effective use of a narrow corridor pressure transmission and applicable to rebuild of city power net. Polymer crossarm insulators can also reduce the tower height, saving manpower, material and financial resources. Silicone rubber crossarm insulator has a superior performance than porcelain insulator. The type code is normally FS Type.



### Parameter

Item No.	Rated voltage (kV)	Rated bending load	Structure height	Insulation distance ( mm )	Min nominal creepage distance ( m )	Lightning full wave impulse withstand voltage ( K )	Power frequency wet withstand voltage
		( kN )	( mm )				1 min kv
FS-10/2.5	10	2.5	390	240	370	150	60
FS-10/5	10	5	480	320	440	150	60
FS-35/5	35	5	620	480	1200	265	100
Fs-35/10	35	10	600	460	1400	265	100
FS-66/5	66	5	1020	800	2000	450	180
FS-66/10	66	10	1020	800	2000	450	180
FS-66/12.5	66	12.5	1020	800	2000	450	180
FS-110/8	110	8	1270	1050	2900	550	230
FS-110/10	110	10	1270	1050	2900	550	230
FS-110/16	110	16	1270	1050	2900	550	230
FS-220/5	220	5	2160	1945	6300	1000	395
FS-220/8	220	8	2018	1800	6300	1000	395